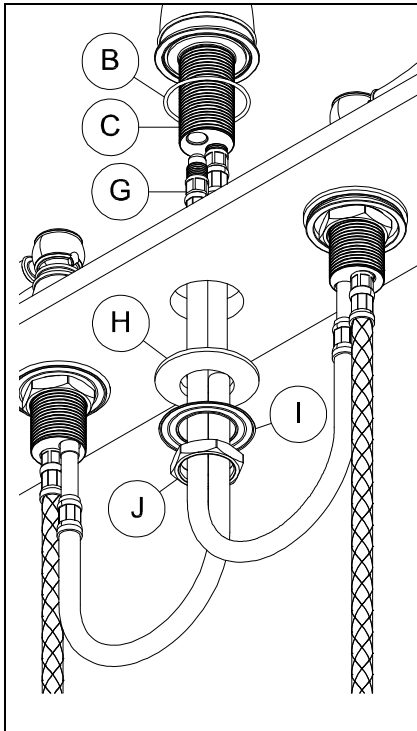


Installation: Spout body



1. Place upper seal (B) onto the underside of spout body (A) as shown.
2. Pass fixing Nut (J), metal spacer (I) then lower sink seal (H) over outlet tail pipes (G).
3. Then from the underside of the sink or worktop (F) pass the top end of outlet tailpipes (G) through the tap hole as shown.
4. Screw the non-captive side of outlet tailpipe (G) to the threaded inlet (C) as shown firstly by hand, then securely with a small spanner.
5. Once securely tightened place spout body (A) onto sink or worktop (F) and fasten in place using fittings (H, I & J).

Changing aerator:

The tap can be fitted with a 5 lpm aerator (M). To switch from standard flow (A2) to the 5 lpm (M) follow steps below:

1. Unscrew aerator case (A1) by hand.
2. Replace standard flow aerator (A2) with 5 lpm flow aerator (M).
3. Screw aerator case (A1) back onto spout ensuring seal (A3) is in place as shown.

After Installation:

Once you have visually checked the new fittings and connections, ensure that all taps and drains are closed except the new product which should be **left open**. Turn on (reconnect) the water supplies, check carefully for leaks around the installation and product function. Once you are sure of no leaks, close the new product and recheck for leaks, turn on the water heating power.

Clean and dry the product of any marks from installation then cover the product with the bag provided to protect it until use.

Important Technical Data

Minimum operating pressure:

0.4 bar (standard aerator) 2 bar (With Flow Limiter)

Maximum operating pressure: 5 bar*

Flow characteristics: Single flow

Maximum hot water temperature: 60°C*

Recommended hot water temperature: 46°C

*If these temperatures or pressures are exceeded, even for short periods, damage can result and will void your warranty. In these instances, reduce the incoming water temperature and or install a pressure reducing valve. Ensure that your Abode product is fitted in accordance with Local Water Byelaws or regulations by a qualified installer. These installation guidelines have been prepared for your direction and you must exercise due care at all times. We do not accept responsibility for problems that may occur through improper installation. Whilst installing the product take care not to accidentally loosen any screwed assemblies.

Manufacturers Product Reference: AT2235, AT2236, AT2237

©Abode - 03/2024

abode

Unit L, Zenith Park, Whaley Road, Barnsley, S75 1HT
Tel: (+44) 01226 283434 or www.abodedesigns.co.uk

All errors and omissions excepted.

Mayenne 3 Part

abode



Warranty:

All Abode products are made using the highest quality materials and components, to ensure that they meet or exceed all UK or European Standards.

All products are thoroughly tested, and quality checked.

All products are backed with a comprehensive warranty and we are confident that they will give many years of trouble-free service.

The warranty applies to products used for normal domestic purposes and where the installation, care and maintenance instructions have been observed.

The warranty extends to the original purchaser only.

Details of Warranty duration and Terms & Conditions for each product type can be found on our website (www.abodedesigns.co.uk).

Important Care Instructions for your Product:

To maintain the appearance of this product, ensure that it is regularly cleaned only using a clean, soft damp cloth. A solution of warm water and a mild liquid detergent may be used where necessary, and then the fitting rinsed thoroughly and wiped dry. Any other cleaning action or use of common domestic cleaning products will invalidate your warranty.

If the product has a plastic aerator insert at the end of the spout it should be unscrewed and the plastic internal insert only removed and cleaned or descaled to maintain flow performance. Do not use descaling solution on any decorative metal housing, rinse the insert thoroughly before reattaching in the reverse order.

Abrasive cleaners, scouring cleaners and acidic cleaners **must not be used on this product** under any circumstances. Avoid contact with all solvents (including chlorinated solvents, ketones or acetones as these may result in surface deterioration or etching). Also avoid contact with any harsh household chemicals such as oven cleaners, drain cleaners, rust removers, paint strippers and toilet bowl cleaners, bar keepers friend or Brasso.

Please leave these instructions for your customer.

Parts and Contents:

| Key | Description | Qty |
|-----|-----------------------------|-----|
| A | Spout body | 1 |
| B | Upper sink seal | 3 |
| C | Threaded section | 1 |
| D | Hot body | 1 |
| E | Cold body | 1 |
| F | Worktop | 0 |
| G | Outlet Flexi Tail | 2 |
| H | Lower sink seal | 3 |
| I | Metal spacer | 3 |
| J | Fixing nut | 3 |
| K | Hot Flexi tail | 1 |
| L | Cold Flexi tail | 1 |
| M | 5 litres per minute aerator | 1 |

Installation Instructions:

Preparation

Before installing the new product it is essential that you thoroughly flush through the supply pipes in order to remove any remaining solder, swarf or impurities from your system. Failure to carry out this simple procedure could cause problems or damage to the workings of the product or reduce performance invalidating the warranty.

We strongly recommend best practice of installing particle filters and isolation valves to both the hot and cold feed pipes in an accessible position. This will help to prevent premature failure of the valves and ease any future maintenance.

All parts should be removed from their packaging and inspected for any transport damage prior to installation.

Shut off (isolate) your hot and cold water supply locally at the point of installation before continuing with the installation. If the water cannot be isolated locally then turn off the mains stopcock and power to any heating system, now open the lowest tap or drain point in the system until both hot and cold supplies are fully drained.

This 3 part requires three 35mmØ tap holes, the centre spacing between the spout body and handle bodies is 100 (min) – 150 (max)mm. If replacing an existing product, remove it and clean the end of the hot and cold feed pipes using wire wool, the tap hole area should be free from dirt and sealant.

Loosely position the product and fittings to check if any alteration to the existing pipework is required, if needed, do this now.

If the product is single flow (see section important technical data “flow characteristics”) then non return (check) valves must be installed to comply with regulations. Some products are supplied with non-return valves this will be noted in the instructions.

Installation: Hot and cold bodies

1. Place upper sink seals (B) on the underside of hot and cold handles (D & E) as shown.
2. Screw Hot and Cold tail pipes (K & L) inside handle bodies (D & E) ensuring they are hand tight.
3. Screw Outlet flexi tails (G) inside handle bodies (D & E) as shown ensuring they are hand tight.
4. Place the handle bodies (D & E) onto the sink or worktop (F) and pass the threaded inlets through the taps holes. With the tap in place check that the threaded inlet (D & E) meet the hot and cold water feeds. If further adjustment to the plumbing is required do this now. The hot water should be connected to the left hand side of the tap when viewed from the front.
5. Pass lower sink seals (H) and metal spacers (I) over tail pipes (K & L) first, then over outlet tailpipe (G), and then over threaded inlets on handle bodies (D & E).
6. Pass fixing nuts (J) over tail pipes (K & L) first, then over outlet tailpipe (G), then fasten the fixing nuts (J) securely onto inlets (D & E) fixing the bodies into its correct location.
7. Connect the Cold and Cold tailpipes (K & L) to the water supplies using ½” BSP compression fittings or similar.

